

K type Thermocouple Sensors

Cold Junction compensation temperature sensors.
Use MoTeC part no 55001

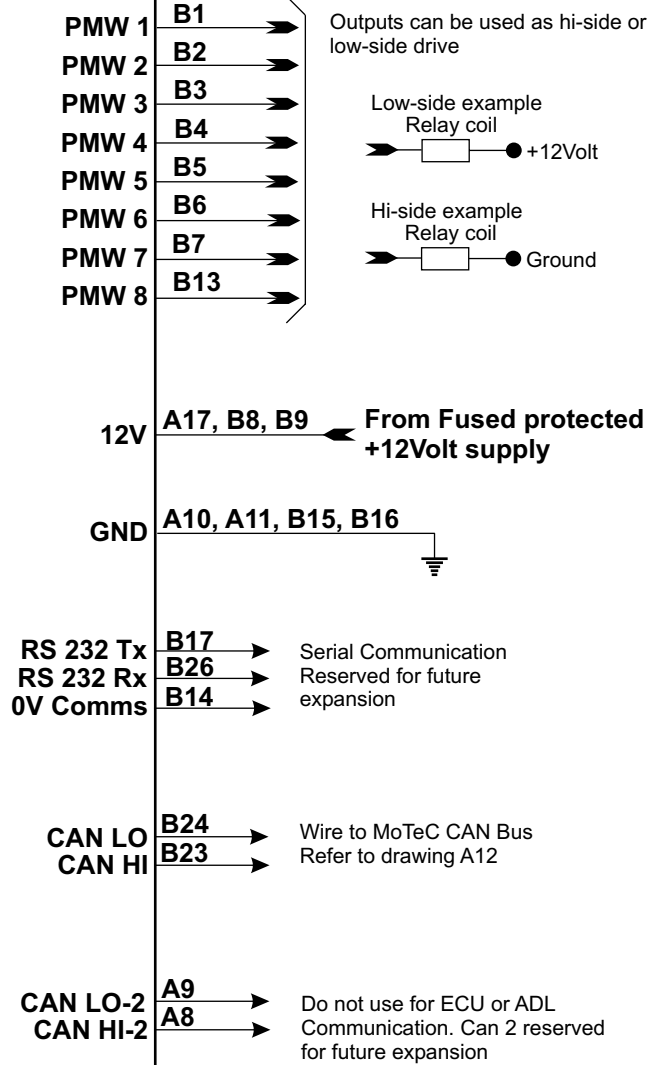
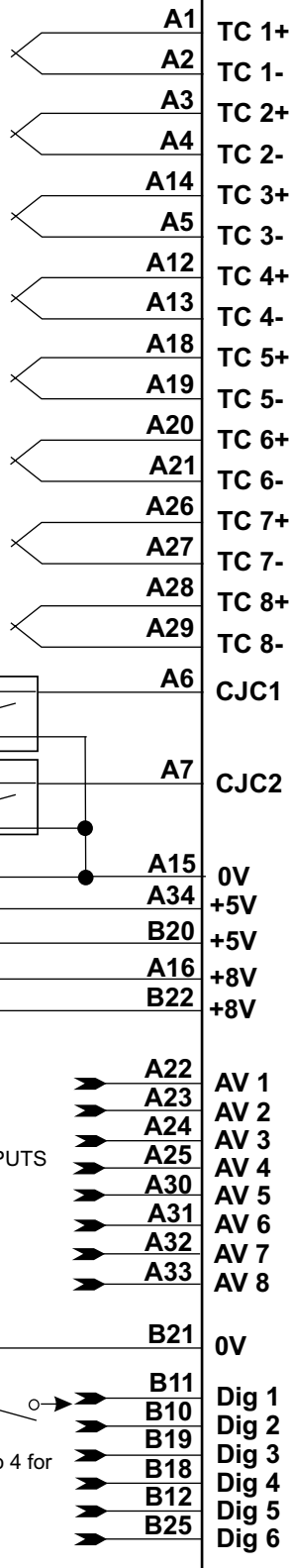
Aux Sensor Power & 0V

ANALOG VOLT INPUTS

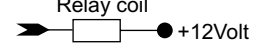
Use Digital 1 to 4 for speed inputs

E888

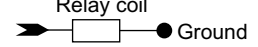
Outputs



Low-side example



Hi-side example



Note:
Refer to manual for Current capacity for PWM pins.

All GND and +12V pins should be used when switching high load currents.

Looking into Connector on E888A

